

MECOOOL[®]

MECOOL UHD OTT Stick

KD3

Features

Amlogic S905Y4 Quad-Core A35 up to 1.8GHz

Google TV system

Netflix & Prime Video Certified

UHD, HDR10, Dolby Audio

Support AV1 decoding

2GB LPDDR4 + 8GB EMMC

WiFi5 Dual Band and BT5.0

KD3

UHD 4K TV Stick

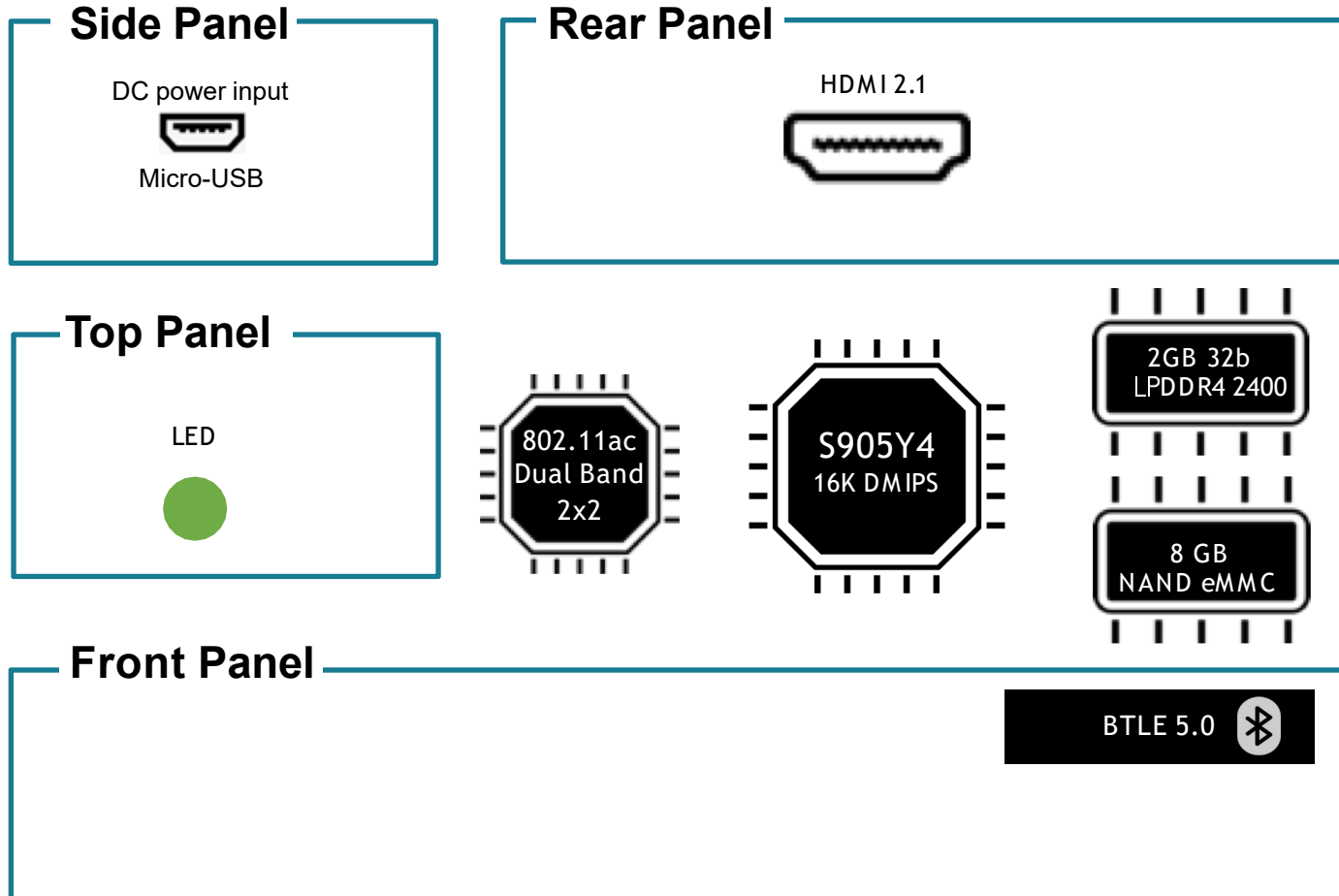


Mechanical Design



Physical Size: 92.5*29.5*14.5 (mm)

Panel Map



Specification (1)

Core

- Amlogic S905Y4 Quad A35 16500 DMIPS
- 512KB L2 cache
- ARM G31 MP2
- OpenGL ES 3.2 Graphics engine

Wi-Fi

- Wi-Fi 2*2 + BT Antenna
- 2.4GHz & 5GHz
- 802.11 b/a/g/n/ac/

Software

- Google TV system GOTA for upgrades and updates Standard
- Launcher/Operator Launcher
- Configurable Play-Auto Installed apps

Content Apps

- YouTube
- Google Play Movies & TV Shows
- Netflix
- Prime Video
- Disney+
- More other apps

Video Formats

- 4:3 and 16:9 aspect ratio
- 480i, 480p, 576i, 576p, 720p, 1080i, 1080p24, 1080p30, 1080p60
- 4Kx2Kp30,4Kx2Kp60
- HEVC H.265
- MPEG-4,MP@ML, MP@HL profiles
- AV1, VC-1/VP8/VP9 HDR10, HDR10+, HLG

Audio Formats

- 32KHz to 192KHz sample rates
- MPEG Audio Layers 1, 2 &3, MPEG-4 Audio AAC LC, AAC LC + SBR Level 2, AAC 5.1,
- HE AAC Level 2 & Level 4
- Dolby Digital MS12, Atoms Passthrough

Specification (2)

Accessories

- 5V/1A Power adapter
- Micro USB Power Cable 1m
- HDMI Extended lead 0.3m
- BT remote control
- Quick Start Manual

Licenses TBD

- HWCD 251-License MPEG LA H.265/HEVC
- HDCD-249-License MPEG LA MEPEG-4
- HDCD-250-License MPEG LA H.264/AVC
- HDCD-265-License Google Widewine
- HDCD-264-License Microsoft Playredy
- HDCD-247-License MPEG LA MEPEG -1
- HDCD-248-License MPEG LA MEPEG -1
- HDCD-261-License HDMI
- HDCD-262-License HDMI HDCP

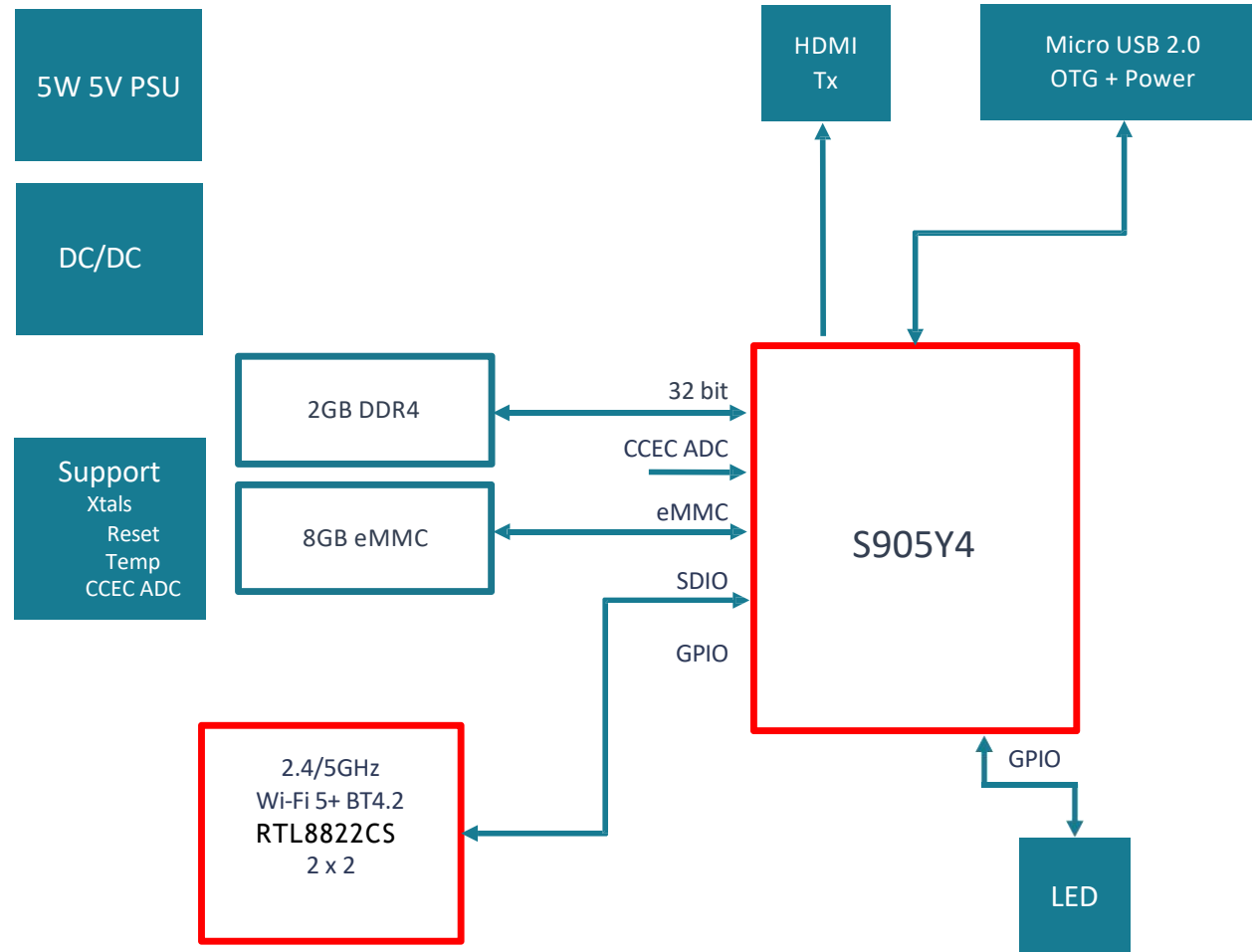
Mechanics

- Product size
- Dimension: 92.5 x 29.5 x 14.5mm
- Packging size:133*35*165mm

Power

- Mains supply voltage 110-240V
- Frequency 50-60Hz
- 5W External AC-DC PSU power module

Block Diagram



Remote



Feature

BT 5.0 and IR

D-Pad Navigation

Shortcut keys of home page, voice control, and volume etc.

Google TV Compatible



THANK YOU

MECOOL[®]